

# naggura'nuuna

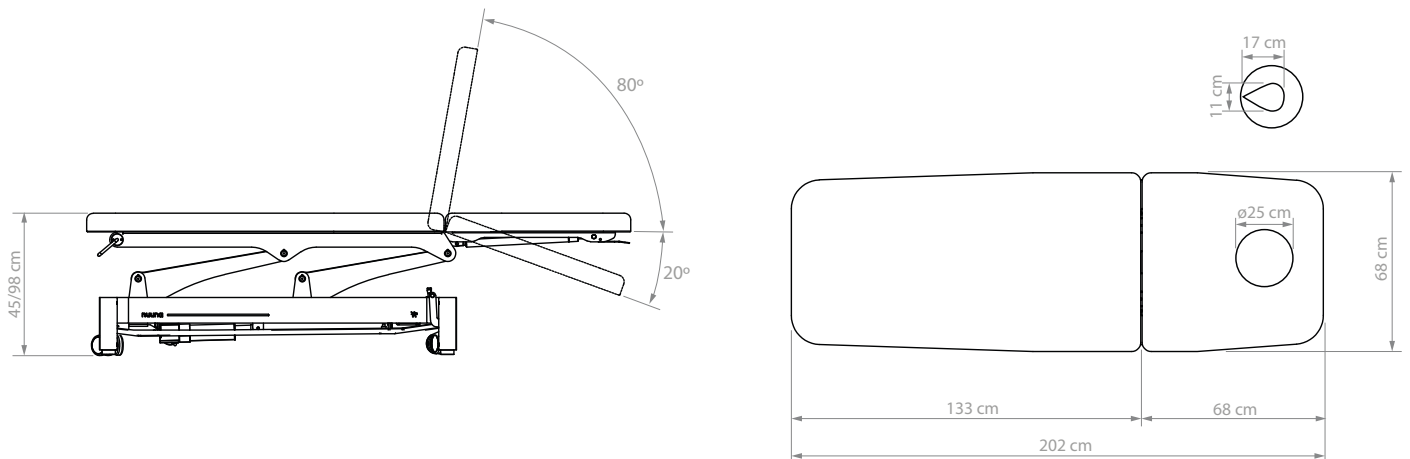
# Nuuna 2L Starter Soft



Massage



## Dimensions



# Nuuna 2L Starter Soft



Massage

## General Specifications

MOTORS  
1

INSULATION CLASS  
Class I

DIMENSIONS (LENGTH X WIDTH)  
202 X 68 cm

PRODUCT CLASSIFICATION  
Class I

HEIGHT (MIN. AND MAX.)  
45/98 cm

APPLIED PARTS  
Type B

WEIGHT  
80 kg

MOISTURE RESISTENCE  
IPX0

LIFTING CAPACITY  
180 kg

FEEDER CABLE  
2.5 m

SPEED MOTORS  
2.33 cm/s

MAX INTENSITY  
9A

POWER SUPPLY  
100-240 V - 50/60 Hz

FRAME COLOUR  
Dark grey: RAL 7015  
Light grey: RAL 7047  
Wood: Oak

## Accessories

Swop Foot Controller  
1 Motor

Nuuna Roll Holder



Cover Physio



## Operation

Hand controller (included) / Foot controller (optional)

Long head section with 2 gas springs.

4 wheels turning 360° ø75mm. 1 Central lever.

Comfortable face cushion and plug.

## Upholstery

Thickness: 8 cm

Density: 37 kg/m<sup>3</sup>

Upholstery: PVC upholstery

Superior abrasion resistance: 120-150K cycles

Flame retardancy: BS 7176

Colour: Graphite

## Warranty and conformity

### WARRANTY

10 years on metal structure, 2 years on the rest of the bed.

### CONFORMITY

MDR (EU) 2017/745

EN ISO 14971: 2019/A11:2021, EN ISO 15223-1:2021/A1:2025, EN ISO 20417:2021,

EN ISO 10993-1: 2020, EN ISO 10993-5: 2009/A11:2025, EN ISO 10993-10: 2023, EN ISO 10993-23: 2021, ISO 13485:2016,

EN 60601-2-52:2010+A1:2015, EN 60601-1: 2006/A13:2024, EN 60601-1-2: 2015+ A1:2021, EN 62366-1: 2015/A1:2020

## Safety

Double tip security system and key (power off)