

naggura'nuuna

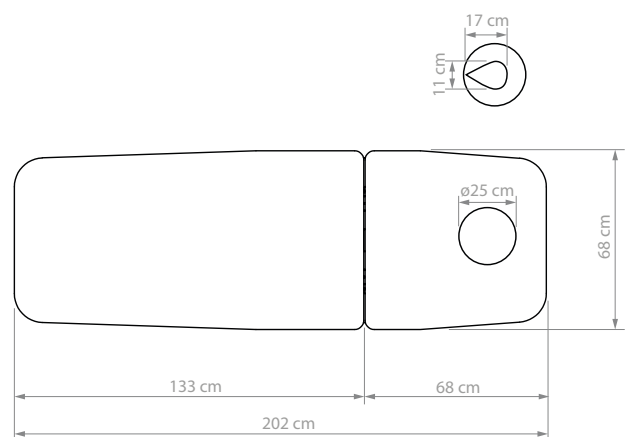
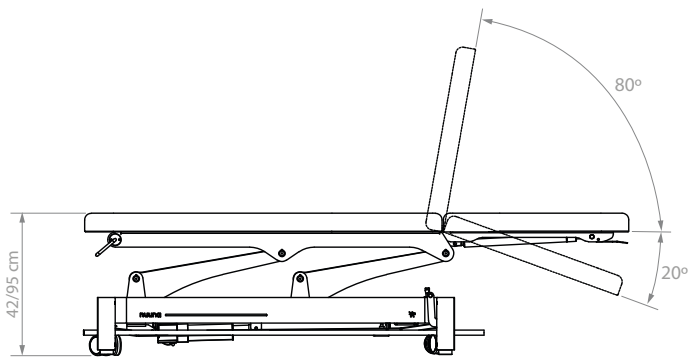
Nuuna 2L Pro



Physio



Dimensions





General Specifications

MOTORS
1

INSULATION CLASS
Class I

DIMENSIONS (LENGTH X WIDTH)
202 X 68 cm

PRODUCT CLASSIFICATION
Class I

HEIGHT (MIN. AND MAX.)
45/95 cm

APPLIED PARTS
Type B

WEIGHT
80 kg

MOISTURE RESISTENCE
IPX0

LIFTING CAPACITY
180 kg

FEEDER CABLE
2.5 m

SPEED MOTORS
2.33 cm/s

MAX INTENSITY
9A

POWER SUPPLY
100-240 V - 50/60 Hz

FRAME COLOUR
Dark grey: RAL 7015
Light grey: RAL 7047
Wood: Oak

Accessories

Cover Physio



Operation

Peripheral bar to control height of the bed. Accessible from all sides of the table.

Long head section with 2 gas springs.

4 wheels turning 360° ø75mm. 1 Central lever.

Comfortable face cushion and plug.

Upholstery

Thickness: 5 cm

Density: 40 kg/m³

Upholstery: Seamless upholstery with round edges.

Naggura Skin (100% vinyl compound)

Superior abrasion resistance: >150K cycles

Flame retardancy: BS 7176

Colour: Graphite

Warranty and conformity

WARRANTY

10 years on metal structure, 2 years on the rest of the bed.

CONFORMITY

MDR (EU) 2017/745

EN ISO 14971: 2019/A1:2021, EN ISO 15223-1:2021/A1:2025, EN ISO 20417:2021,

EN ISO 10993-1: 2020, EN ISO 10993-5: 2009/A1:2025, EN ISO 10993-10: 2023, EN ISO 10993-23: 2021, ISO 13485:2016,

EN 60601-2-52:2010+A1:2015, EN 60601-1: 2006/A13:2024, EN 60601-1-2: 2015+ A1:2021, EN 62366-1: 2015/A1:2025

Safety

Double tip security system and key (power off)