

Work happily



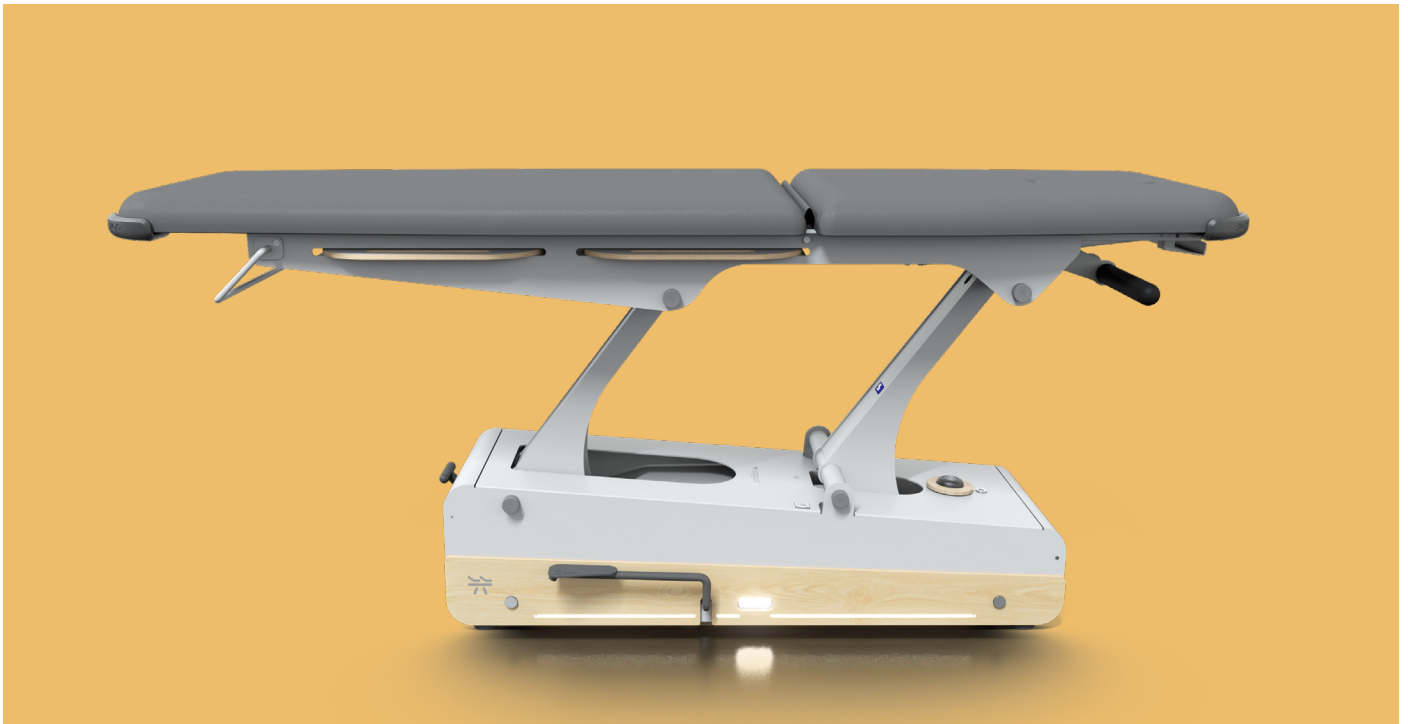
V1.0

naggura'swop

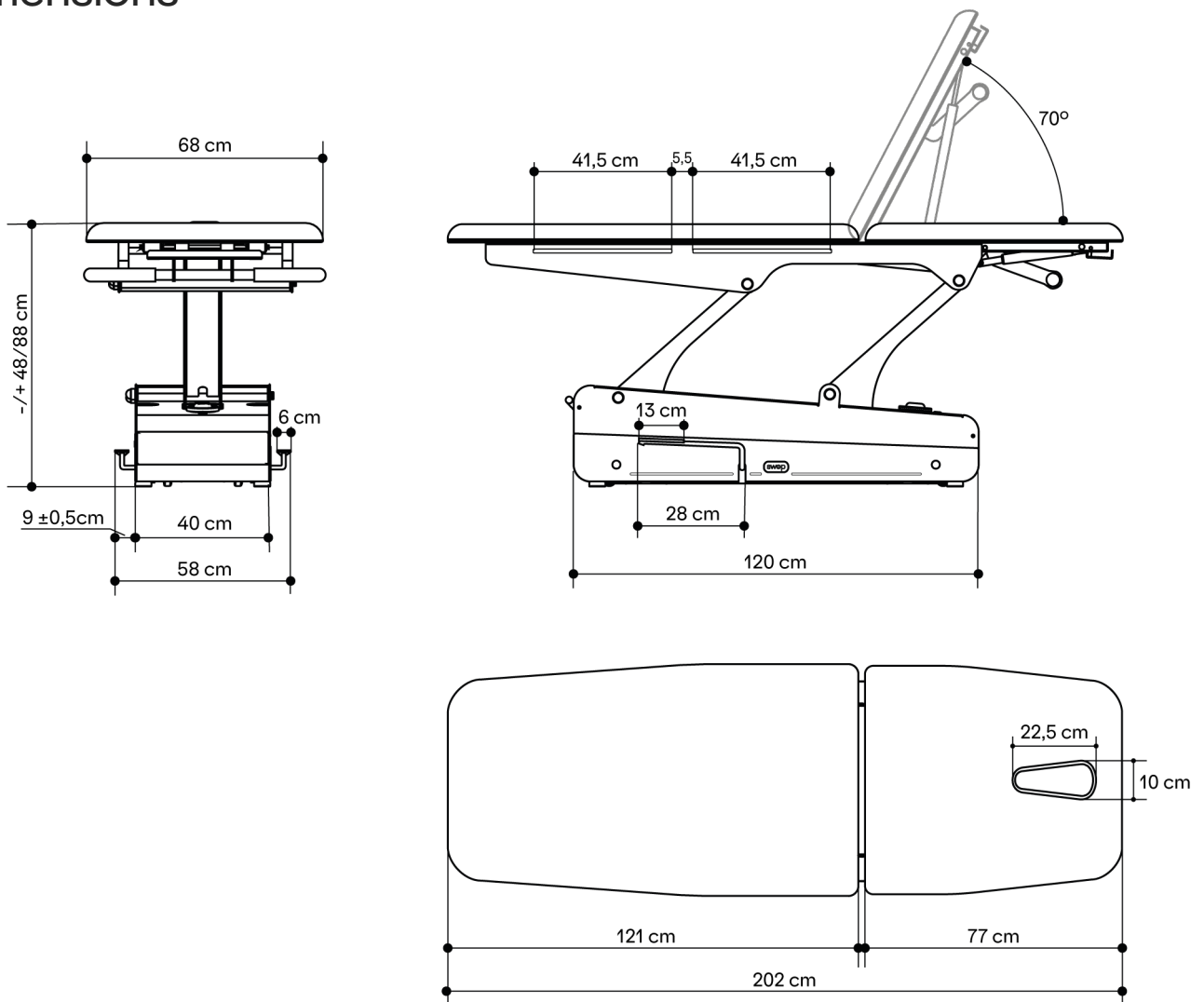


naggura.com

Swop 2L Pro Hydro Physio



Dimensions



Swop 2L Pro Hydro Physio



General Specifications

DIMENSIONS (LENGTH X WIDTH)
202 x 68 cm

HEIGHT (MIN. AND MAX.)
48/88 cm

WEIGHT
95,5 kg

LIFTING CAPACITY
200 kg

FRAME COLOUR
Levers are RAL 7015
Base Frame is RAL 7047

PRODUCT CLASSIFICATION
Class I Equipment

APPLIED PARTS
Type B

MOISTURE RESISTENCE
IPx0

Operation

Long head section with 2 gas springs. Handlebar.

2 levers, one in each side of the base, to control height. Press the lever to bring the table up and pull up the lever to bring it down.

4 wheels turning 360°. Fully integrated system underneath the base frame. 1 Central lever.

LED light with a recharging power bank. USB Micro feeder cable included.

Upholstery

Thickness: 5cm

Density: 40kg/m³

Breathing hole and plug.

Seamless upholstery with round edges.

Naggura Skin upholstery: 100% vinyl compound.

Protection against germs and UV rays.

Superior abrasion resistance: >250K cycles.

Flame retardancy: NF P 92-503/M2

Colour: Graphite

Warranty and conformity

WARRANTY

2 years on table and upholstery

CONFORMITY

EN ISO 14971: 2019, EN ISO 20417:2021,
EN ISO 15223-1: 2016, ISO 10993-1: 2018,
EN ISO 10993-5: 2009, EN ISO 10993-10: 2013,
EN ISO 13485:2016,
EN 60601-2-52:2010+ AC:2011+A1:2015,
EN 60601-1-2:2015+ A1:2020,
EN 60601-1:2006+ A1:2013+AC:2014+A12:2014 +A2:2020

Accessories

Paper roll holder



Bamboo Sound System



Bed Covers



Pack School

- 2 wooden tables (39,5 x 60 cm)
- 2 metal storage cradles for the tables
- 4 protective corners

