

Breaking the rules



V1.0

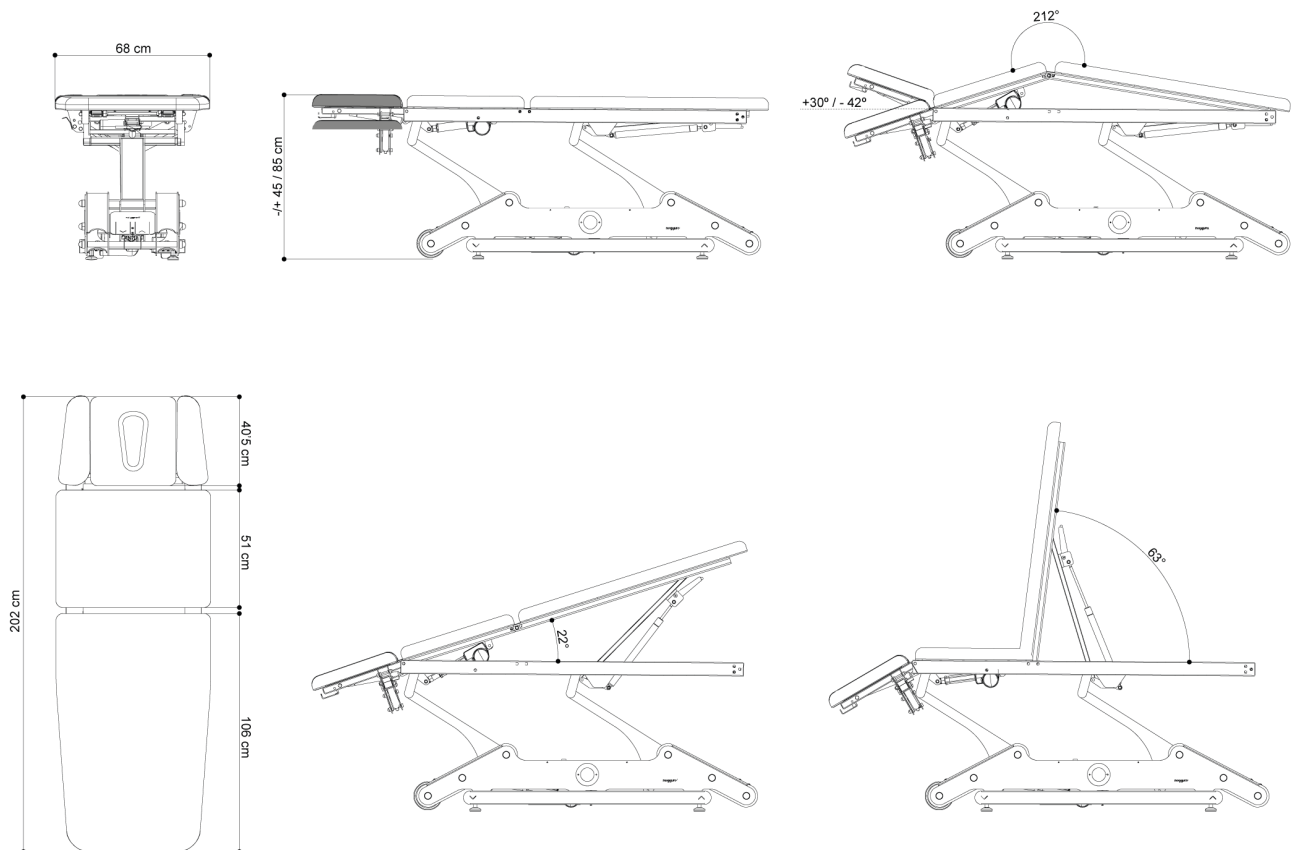
naggura'n



naggura.com



## Dimensions and Functions



## General Specifications

### MOTORS

- 1 engine height (6000 N)
- 1 motor middle section (6000 N)

### HEIGHT ADJUSTMENT

-/+ 45/85 cm

### WEIGHT

143 kg

### POWER SUPPLY

- AC100 – 120V, 50/60 Hz
- AC220 – 240V, 50/60 Hz

### INSULATION CLASS

Reinforced insulation II

### PRODUCT CLASSIFICATION

Class I Equipment

### APPLIED PARTS

Type B

### MOISTURE RESISTANCE

IPX0

### CONFORMITY

- IEC 60601-1:2005, IEC 60601-1:2005/AMD1:2012
- EN 60601-1-2:2015, IEC 60601-1-6:2010
- IEC 60601-1-6:2010/AMD1:2013, ISO 10993-10:2010
- ISO 10993-5:2009

### FRAME COLOUR

RAL 7047 + RAL 7011

### FEEDER CABLE

3m, White

## Operation

TwinLift® arm supports: stepless and simultaneously adjustable with gas spring. No collision with the therapist.

Head section with 2 gas springs.

Fully integrated peripheral switch, easy access from all sides of the table.

2-wheel system at one side of the bed. Take the table from one side to lift it and move it like a chariot to the desired position.

Electrically adjustable middle section. Switches on both sides.

Foot section with 1 gas spring.

## Safety

Safety switch with key (power off).

Double tip system with automatic standby system (5 sec), for all motors.

## Upholstery

### THICKNESS

5cm

### DENSITY

40kg/m<sup>3</sup>

Breathing hole and plug.

Seamless upholstery with round edges.

Coating: 100% vinyl. Permablok 3 © advanced vinyl protection (against germs and bacteria). Superior abrasion resistance: >300K cycles.

Flame retardancy: NF P 92-503/M2

● Colour: Graphite

## Warranty

2 years on table and upholstery.

## Accessories

3 models of stools, 5 colours



Paper roll holder



Bed covers, 2 colours

